

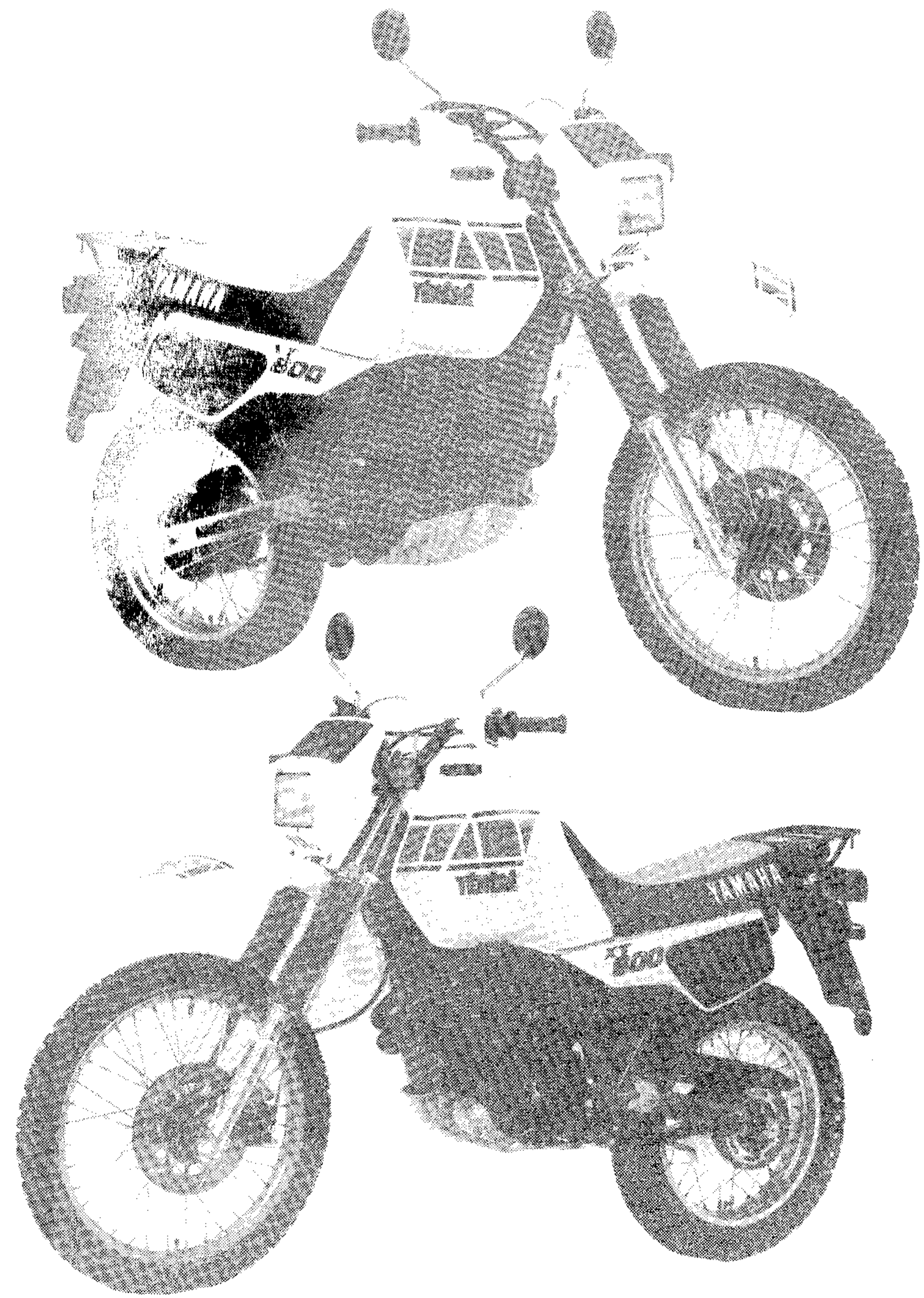
YAMAHA

PARTS CATALOGUE

XT600Z'84 (50T)

EUROPE

1450T-300E1



FOREWORD

This Parts Catalogue is related to the parts in use for the Yamaha XT600Z'84 (50T)
When you are ordering replacement parts for the XT600Z'84 (50T), refer to this Parts Catalogue and quote both part numbers and part names correctly

1. Modifications or additions which have been made after issue of the Parts Catalogue will be announced in the Yamaha Parts News.

It is advisable that according to the Yamaha Parts News you make necessary corrections to the Parts Catalogue on hand to keep it up-to-date.

2. Abbreviations

The following abbreviations are used in this Parts Catalogue.

U.R. Use size (thickness) and/or number as required.

U.N. Use as many as you need.

A.P. Alternate Parts

L.M. Local Made

F# Frame No. (Applicable machine No.)

3. The parts marked with (*) in the parts number column of this Catalogue are not supplied with by Yamaha, those have to be found locally.

4. Parts, which are to be supplied in the form of assemblies, are listed with an indention of one letter's space, and a dot (.) is put against the name of each part.

EXAMPLE CARBURETOR ASS'Y
. JET, pilot
. NOZZLE, main

5. Indication of No. of constituent parts for assembly

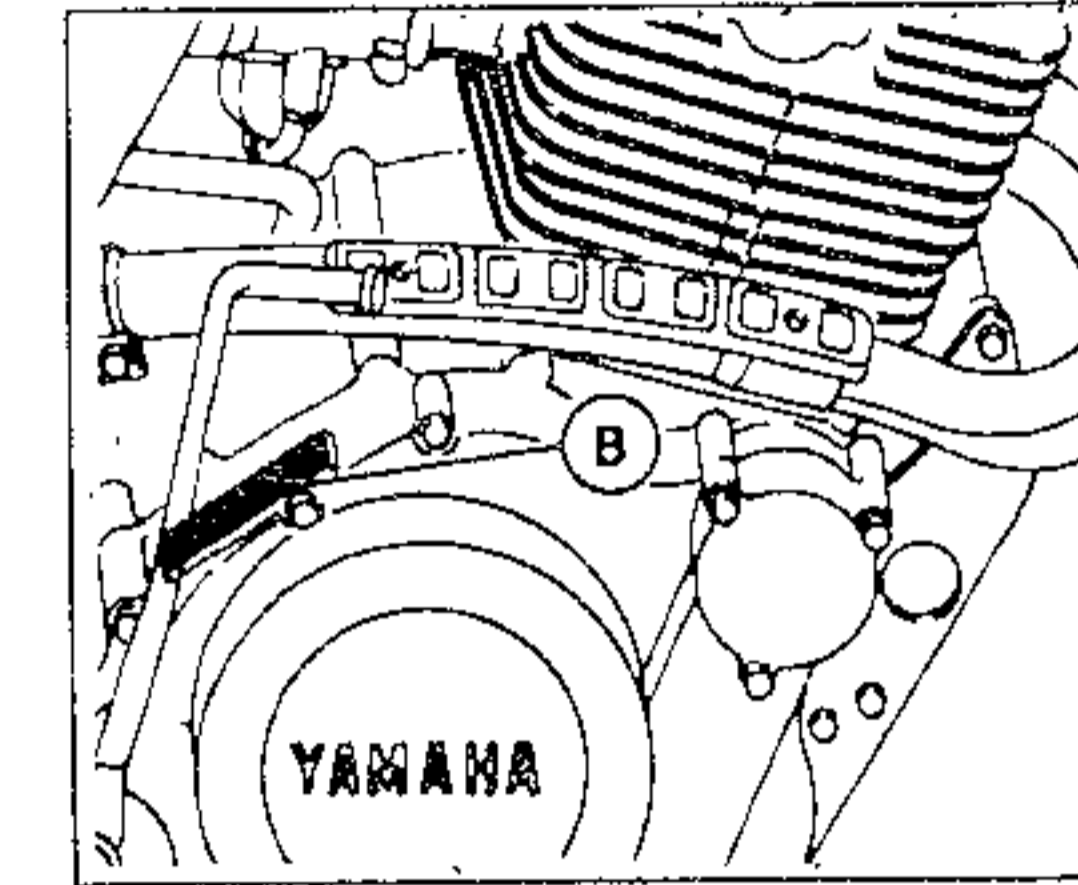
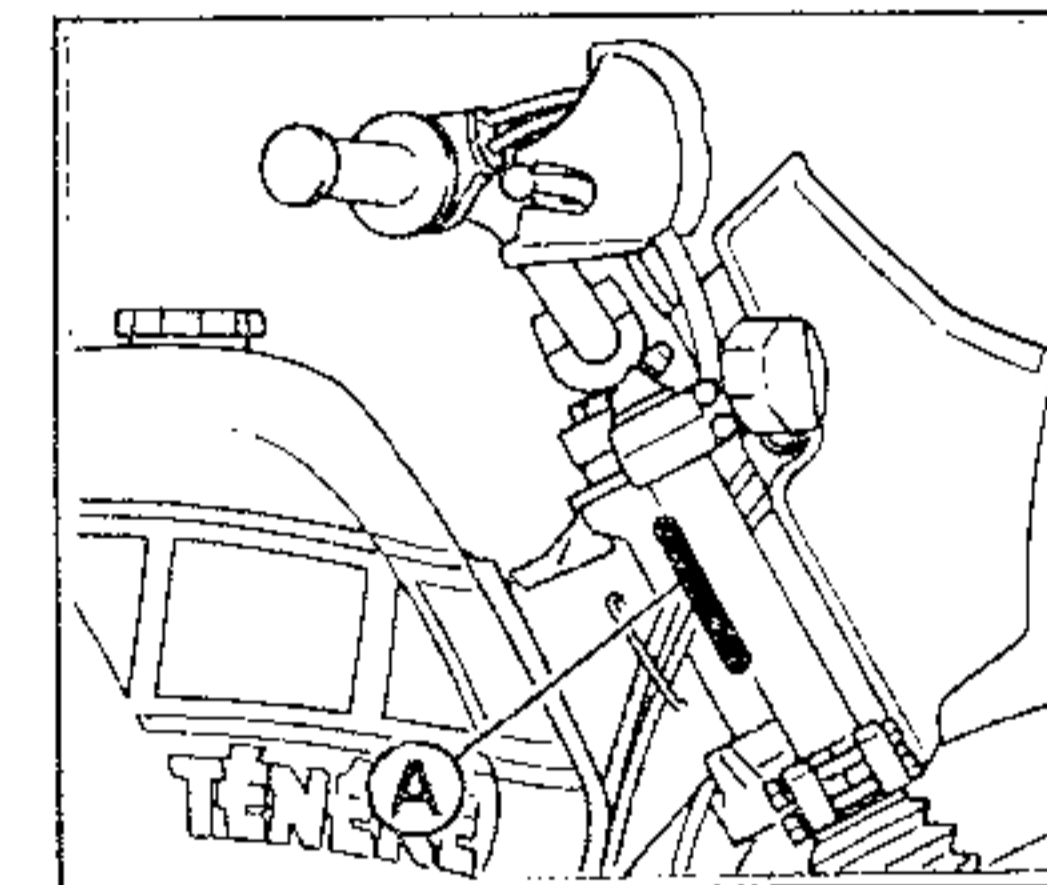
The numeral appearing to the right of each constituent part under the description indicates the quantity of such parts for each individual assembly unit.

EXAMPLE

Part No.	Description	Q'ty	Remarks
2F5-83310-60	FRONT FLASHER LIGHT ASS'Y	2	
115-83311-60	. BULB (6V-18W)	1	
1M1-83309-60	. REFLECTOR	1	

6. Initial Serial No. and Color Code

(A) Frame Serial No.	34L-020101 and following
(B) Engine Serial No.	34L-020101 and following



Color Code	Color Name	Abbreviate
36	CLEAN WHITE	W
G8	SKY BLUE	SYB

7. Applicable colors of graphics are represented in the "Remarks" column by the letter(s) appropriately picked out of the full word(s) showing such colors.

EXAMPLE

Part No.	Description	Q'ty	Remarks
2N4-24110-00-X5	FUEL TANK COMP.	1	MAXIM RED
3J1-24240-10	. GRAPHIC, fuel tank set	1	for MXR

CONTENTS

GENERAL SPEC.

ENGINE

Fig. 1	CYLINDER HEAD	1
Fig. 2	CYLINDER	3
Fig. 3	CRANKSHAFT · PISTON	4
Fig. 4	VALVE	6
Fig. 5	CAMSHAFT · CHAIN	7
Fig. 6	OIL PUMP	8
Fig. 7	INTAKE	10
Fig. 8	CARBURETOR	11
Fig. 9	EXHAUST	13
Fig. 10	CRANKCASE	14
Fig. 11	CRANKCASE COVER 1	15
Fig. 12	STARTER	17
Fig. 13	CLUTCH	19
Fig. 14	TRANSMISSION	21
Fig. 15	SHIFT CAM · FORK	23
Fig. 16	SHIFT SHAFT	24

CHASSIS

Fig. 17	FRAME	25
Fig. 18	FENDER	27
Fig. 19	SIDE COVER	28
Fig. 20	REAR ARM	30
Fig. 21	REAR SUSPENSION	32
Fig. 22	STEERING	33
Fig. 23	FRONT FORK	35

Fig. 24	FUEL TANK	38
Fig. 25	SEAT	39
Fig. 26	FRONT WHEEL	40
Fig. 27	REAR WHEEL	42
Fig. 28	STEERING HANDLE · CABLE	44
Fig. 29	STAND · FOOTREST	46
Fig. 30	COWLING 1	48
Fig. 31	GENERATOR	49
Fig. 32	FLASHER LIGHT	50
Fig. 33	METER	51
Fig. 34	HEADLIGHT	52
Fig. 35	TAILLIGHT	53
Fig. 36	HANDLE SWITCH · LEVER	54
Fig. 37	ELECTRICAL 1	55
Fig. 38	ELECTRICAL 2	56

INDIVIDUAL SPEC.

FOR SWEDEN, DENMARK

Fig. 39	ALTERNATE (ENGINE)	60
Fig. 40	ALTERNATE (CHASSIS)	61
Fig. 41	ALTERNATE (CHASSIS 2)	62
Fig. 42	ALTERNATE (ELECTRICAL)	63

FOR AUSTRIA

Fig. 43	ALTERNATE (ENGINE)	66
Fig. 44	ALTERNATE (CHASSIS)	67
Fig. 45	ALTERNATE (CHASSIS 2)	68

FOR ENGLAND, HOLLAND

Fig. 46	ALTERNATE (CHASSIS)	70
Fig. 47	ALTERNATE (ELECTRICAL)	71

FOR NORWAY

Fig. 48	ALTERNATE (ELECTRICAL)	74
---------	------------------------	----

FOR GREECE, ITALY

Fig. 49	ALTERNATE (CHASSIS)	76
---------	---------------------	----

INDEX (GENERAL SPEC.)

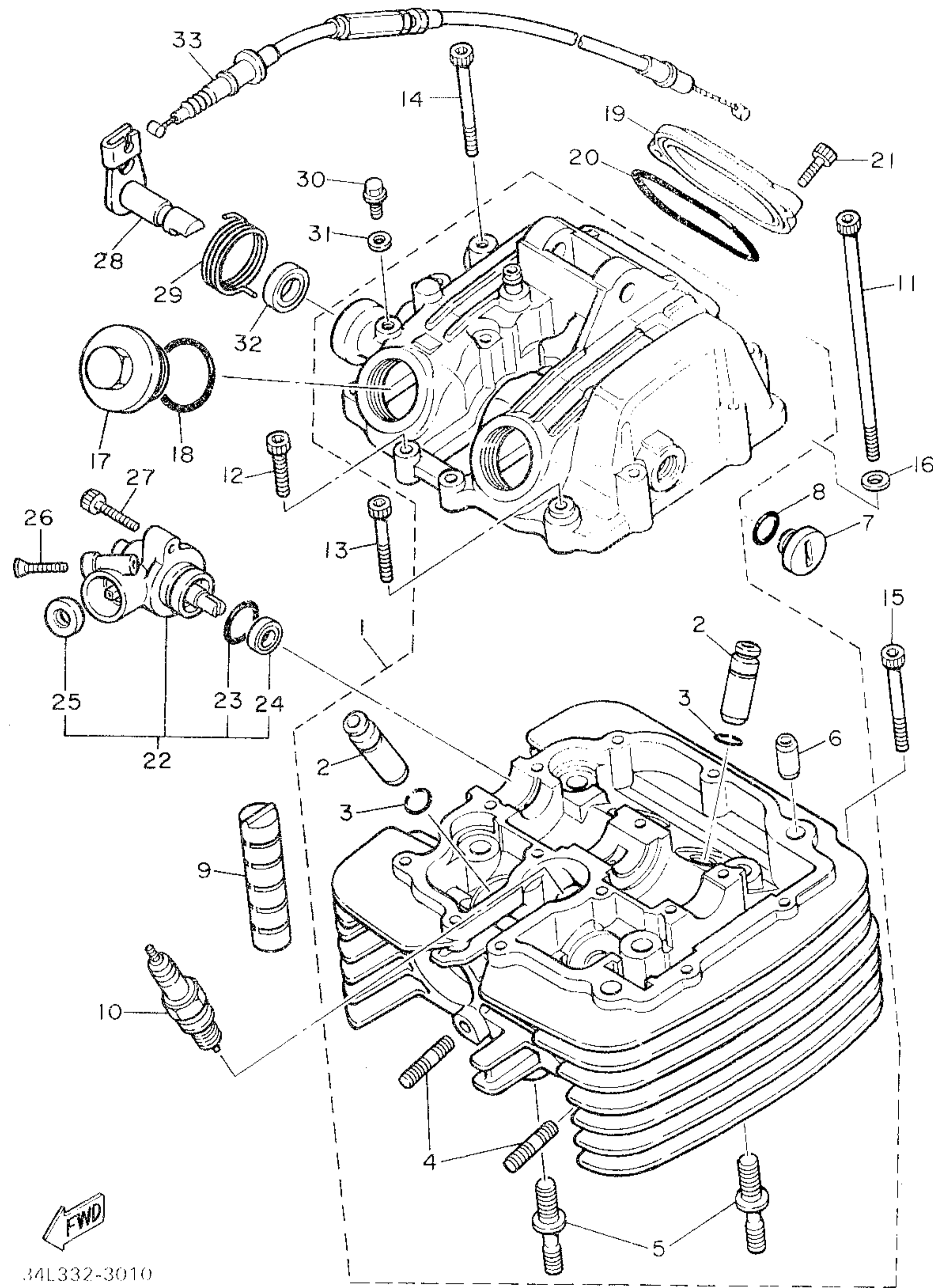
NUMERICAL INDEX
PARTS NAME INDEX

INDEX (INDIVIDUAL SPEC.)

NUMERICAL INDEX

GENERAL SPEC.

FIG. 1 CYLINDER HEAD



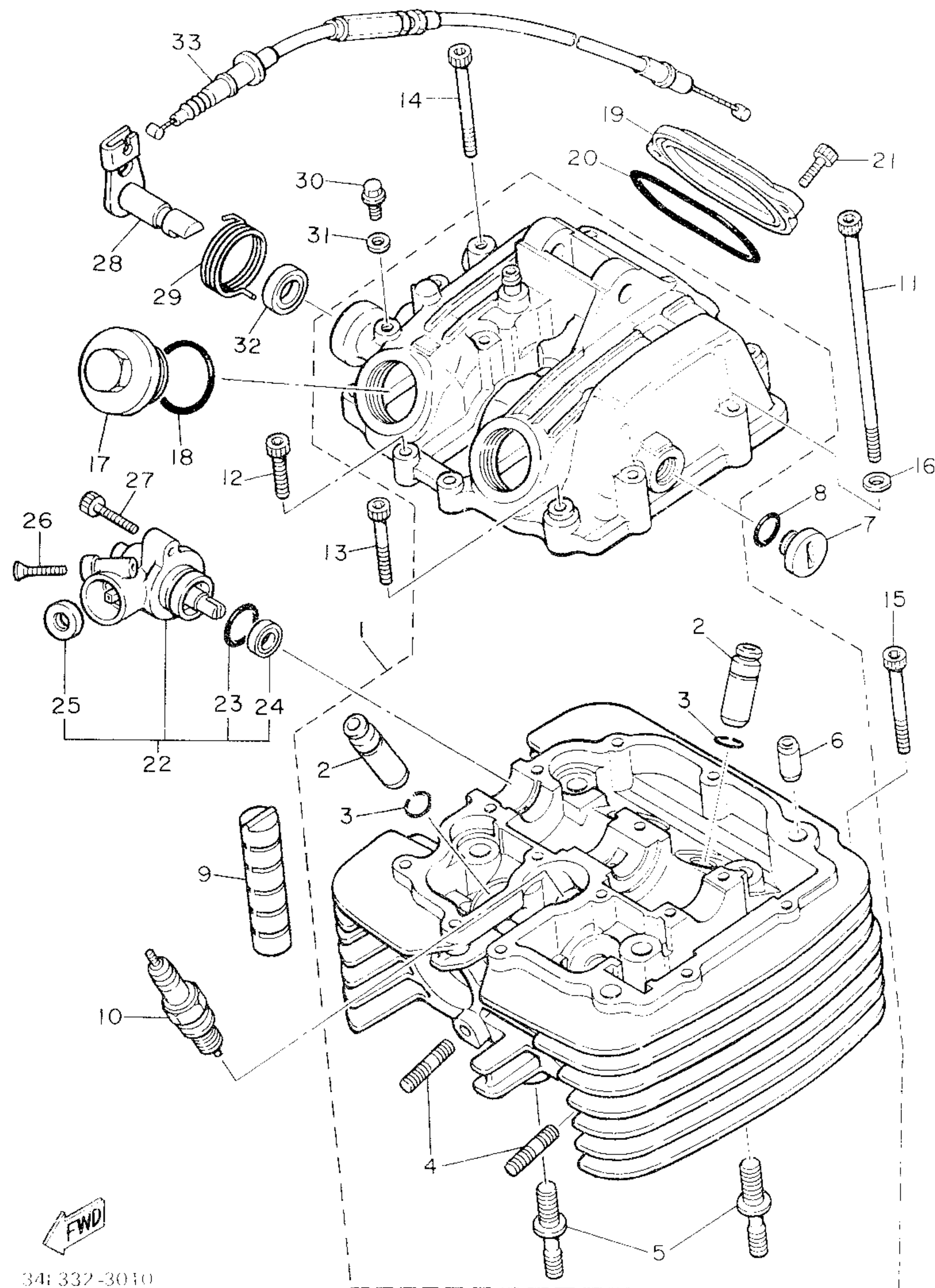
34L332-3010

REF. NO.	PART NO.	DESCRIPTION	Q'TY	REMARKS
1	34L-11101-00	CYLINDER HEAD ASSY	1	
2	4H7-11133-10	•GUIDE, intake valve (1ST D/S)	4	
3	93440-12052	•CIRCLIP	4	
4	95611-06620	•BOLT, stud	4	
5	90116-10378	•BOLT, stud	2	
6	91810-03014	•PIN, dowel	2	
7	90340-14079	PLUG, straight screw	1	
8	93210-14369	O-RING	1	
9	583-11127-00	ABSORBER 3	2	
10	94701-00262	PLUG, sPark (NGK DPR7EA 9)	1	
11	91316-06125	BOLT	2	
12	91316-06025	BOLT	4	
13	91316-06040	BOLT	3	
14	91316-06055	BOLT	7	
15	91316-06050	BOLT	1	
16	92906-06600	WASHER, Plate	2	
17	1H2-11186-00	PLUG, viewer	2	
18	93210-32172	O-RING	2	
19	5Y1-11187-00	COVER, cylinder head side 3	1	
20	93210-62523	O-RING	1	
21	91316-06018	BOLT	2	
22	5Y1-17800-00	GEAR UNIT ASSY, tacho. drive	1	
23	93210-19522	•O-RING	1	
24	93102-11262	•OIL SEAL	1	
25	93102-07261	•OIL SEAL	1	
26	92706-06030	SCREW, flat head	1	
27	91316-06025	BOLT	1	
28	34K-12288-00	CAM, decompression	1	

B2

FIG. 1 CYLINDER HEAD

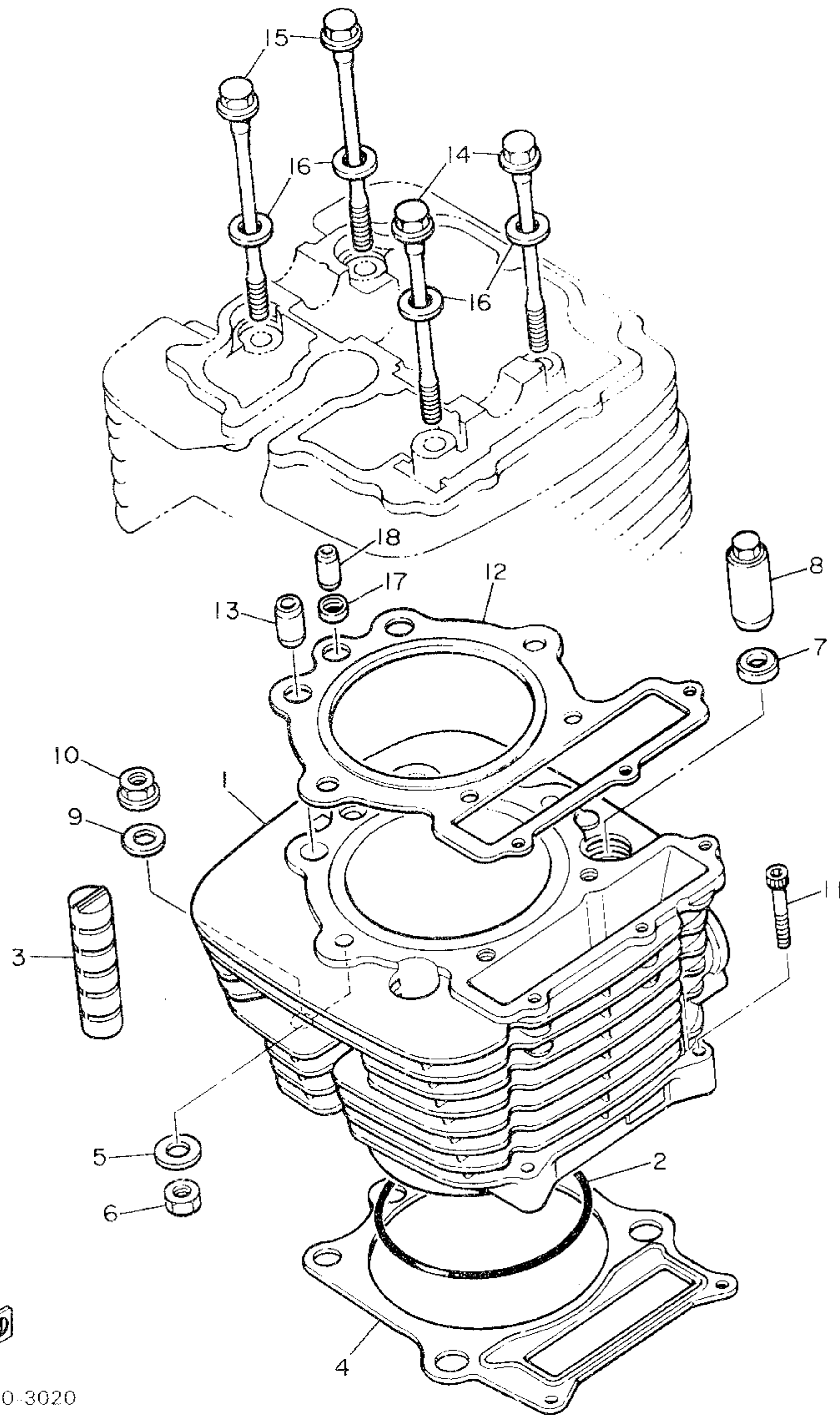
REF. NO.	PART NO.	DESCRIPTION	Q'TY	REMARKS
29	90508-18551	SPRING, torsion	1	
30	90109-06418	BOLT	1	
31	90430-06014	GASKET	1	
32	93102-12106	OIL SEAL	1	
33	34L-12292-00	CABLE, decompression	1	



FWD
34: 332-3010

B3

FIG. 2 CYLINDER



REF. NO.	PART NO.	DESCRIPTION	Q'TY	REMARKS
1	34L-11310-00	CYLINDER	1	
2	93210-98473	O-RING	1	
3	583-11127-00	ABSORBER 3	2	
4	34K-11351-00	GASKET, cylinder	1	
5	90201-087G0	WASHER, Plate	2	
6	90176-08026	NUT, crown	2	
7	90201-10590	WASHER, Plate	2	
8	90179-10201	NUT	2	
9	90201-10124	WASHER, Plate	2	
10	90179-10279	NUT	2	
11	91316-06030	BOLT	2	
12	34K-11181-00	GASKET, cylinder head 1	1	
13	91810-05018	PIN, dowel	2	
14	90105-08213	BOLT, washer based	2	
15	90105-08214	BOLT, washer based	2	
16	90201-08609	WASHER, Plate	4	
17	90430-08178	GASKET	1	
18	91810-18016	PIN, dowel	1	

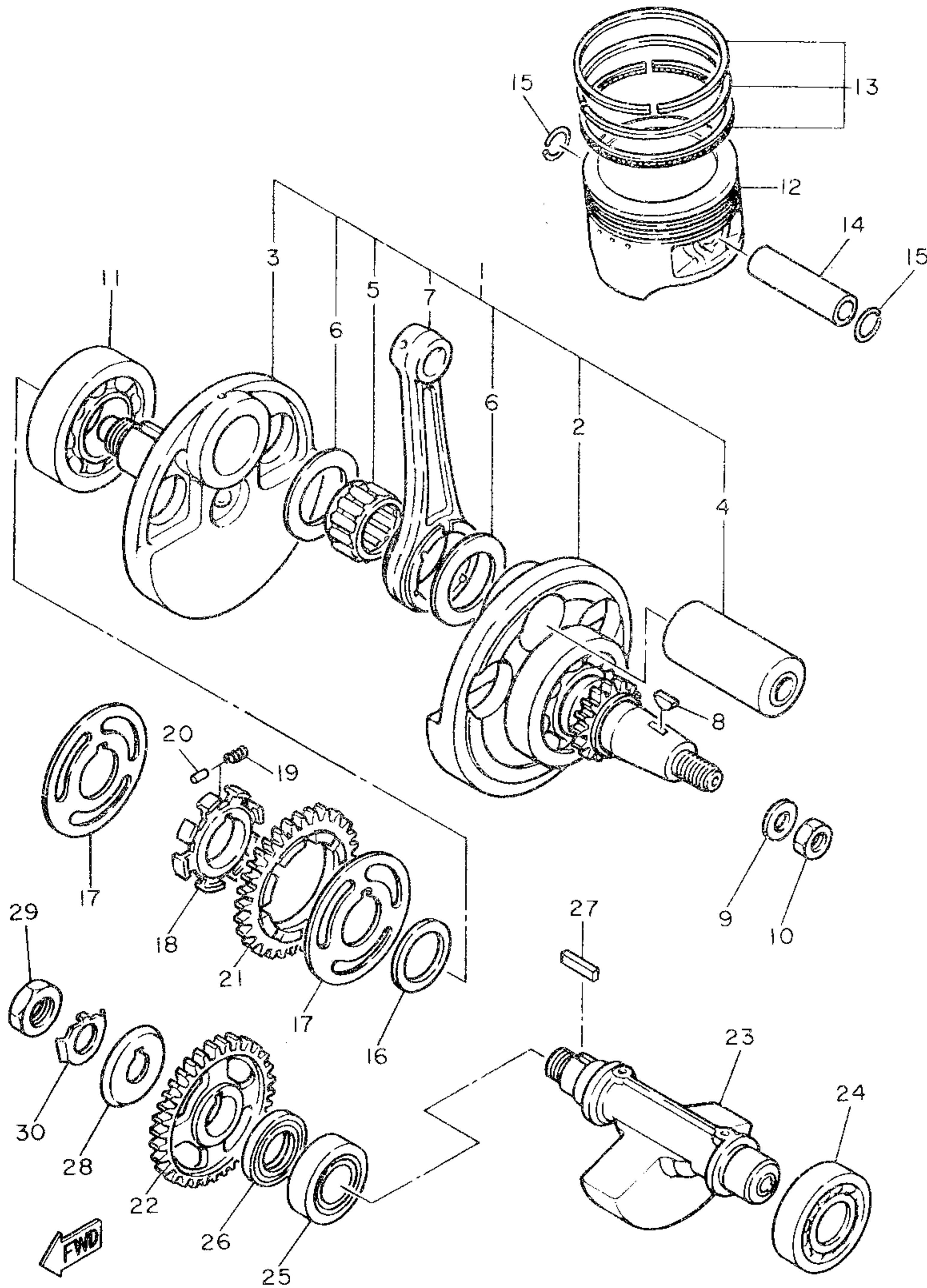


5Y1110-3020

B4

FIG. 3 CRANKSHAFT, PISTON

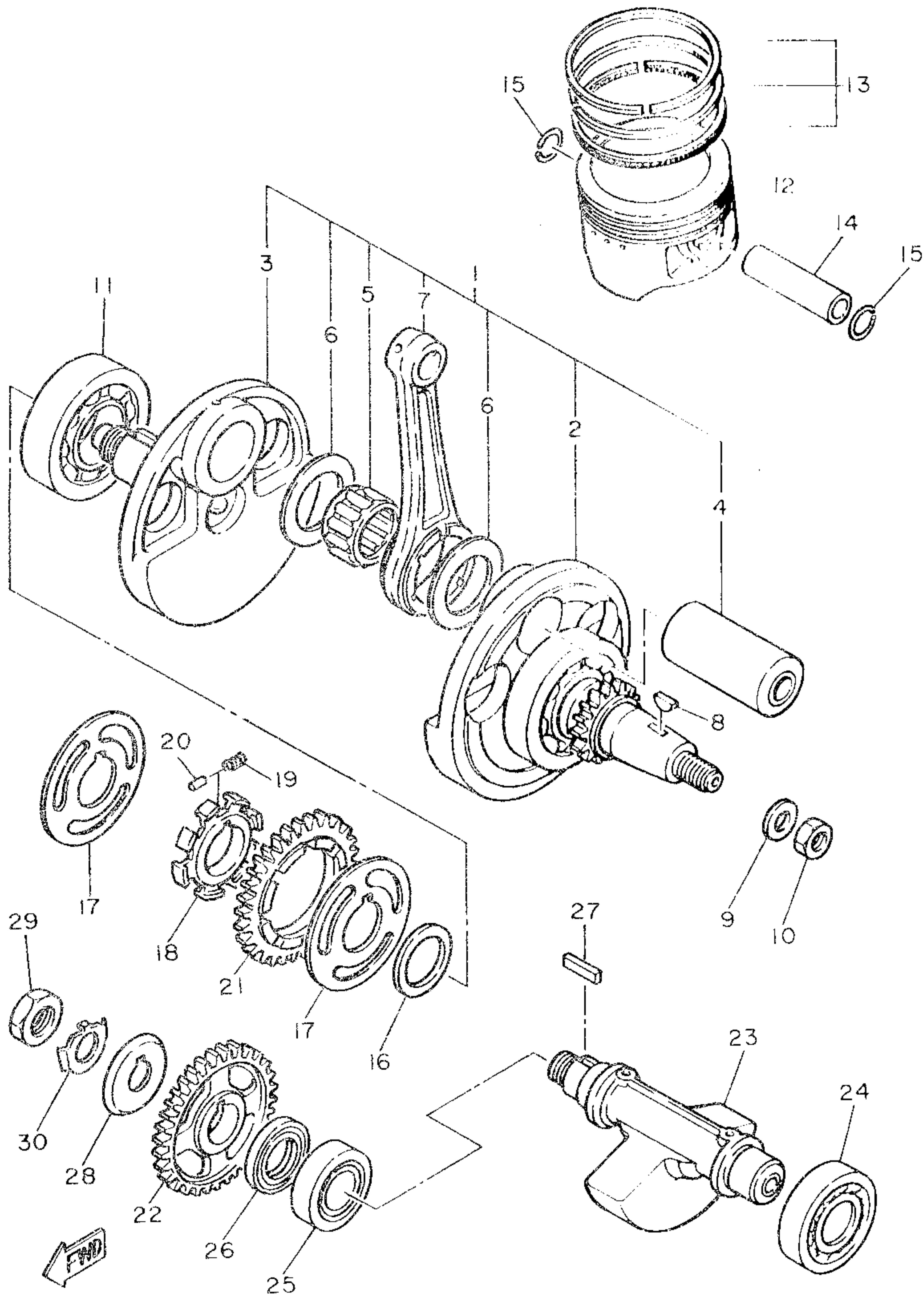
REF. NO.	PART NO.	DESCRIPTION	Q'TY	REMARKS
1	34K-11400-00	CRANKSHAFT ASSY	1	
2	34K-W1141-00	•CRANK 1	1	
3	34K-11422-00	•CRANK 2	1	
4	34K-11681-00	•PIN, crank 1	1	
5	93310-634K2	•BEARING, cylindrical	1	
6	90209-34254	•WASHER	2	
7	34K-11651-00	•ROD, connecting	1	
8	90280-05013	KEY, woodruff	1	
9	90201-14226	WASHER, Plate	1	
10	90179-14317	NUT	1	
11	93306-30702	BEARING (B6307)	1	
12	34L-11631-00-Y0	PISTON (STD)	1	UR
	34L-11636-00	PISTON (0.50MM O/S)	1	AP
	34L-11638-00	PISTON (1.00MM O/S)	1	AP
13	34L-11610-00	PISTON RING SET (STD)	1	UR
	34L-11610-20	PISTON RING SET (2ND O/S)	1	AP
	34L-11610-40	PISTON RING SET (4TH O/S)	1	UR
14	34K-11633-00	PIN, Piston	1	
15	93450-24028	CIRCLIP	2	
16	90201-301F4	WASHER, Plate	1	
17	34K-11565-00	WASHER, bearing cover	2	
18	5Y1-11496-01	BOSS, buffer	1	
19	90501-22721	SPRING, compression	8	
20	93605-10090	PIN, dowel	4	
21	34K-11536-00	GEAR, drive(44T)	1	
22	34K-11531-00	GEAR, balance wt(44T)	1	
23	34K-11454-00	WEIGHT 1	1	
24	93306-30525	BEARING (B6305)	1	



43F300-4030

B5

FIG. 3 CRANKSHAFT, PISTON



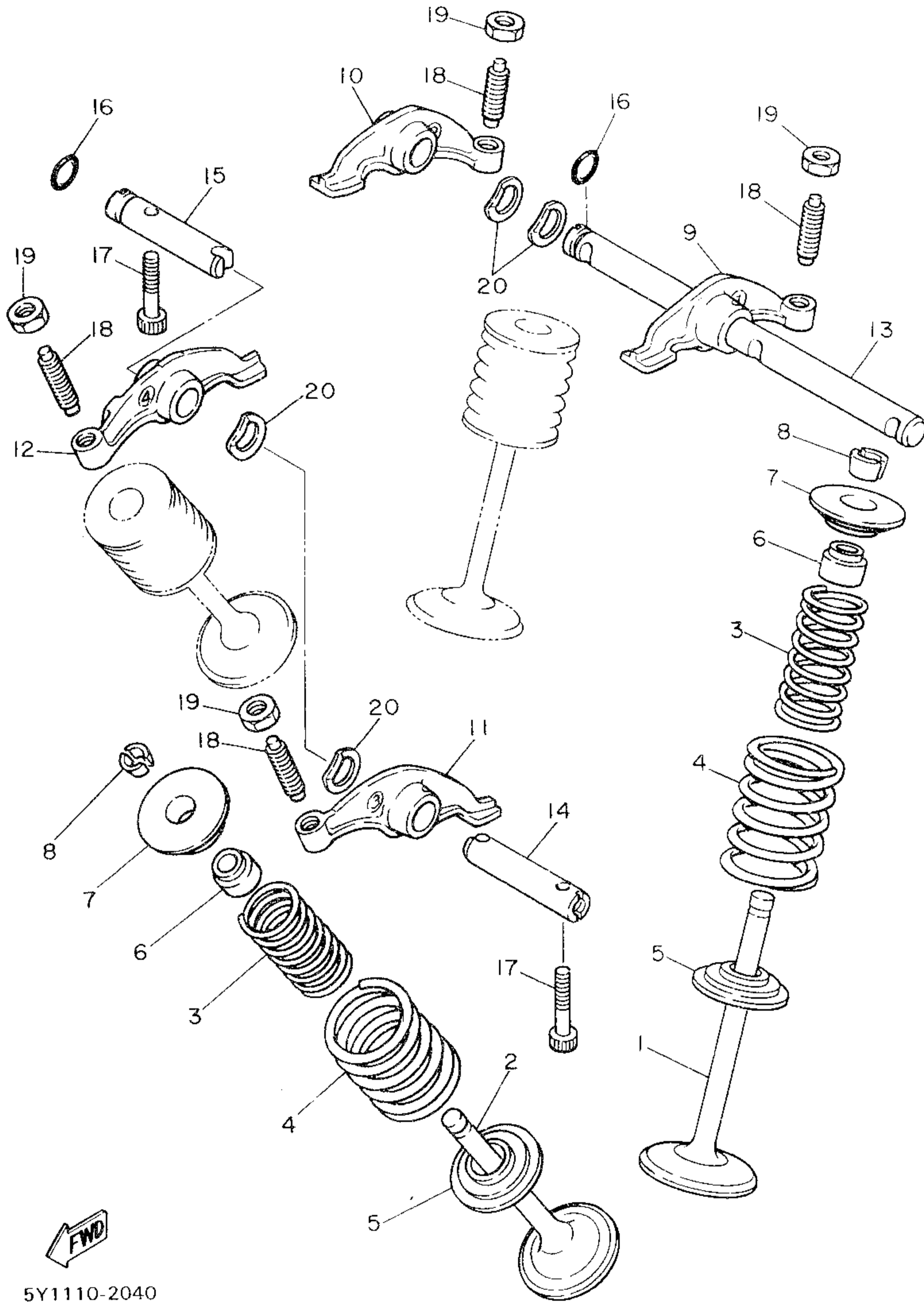
REF. NO.	PART NO.	DESCRIPTION	Q'TY	REMARKS
25	93306-30541	BEARING	1	
26	93101-25106	OIL SEAL	1	
27	90282-05013	KEY, straight	1	
28	34K-11145-00	PLATE, breather	2	
29	90170-16326	NUT	1	
30	90215-16230	WASHER, lock	1	

43F300-4030

B6

FIG. 4 VALVE

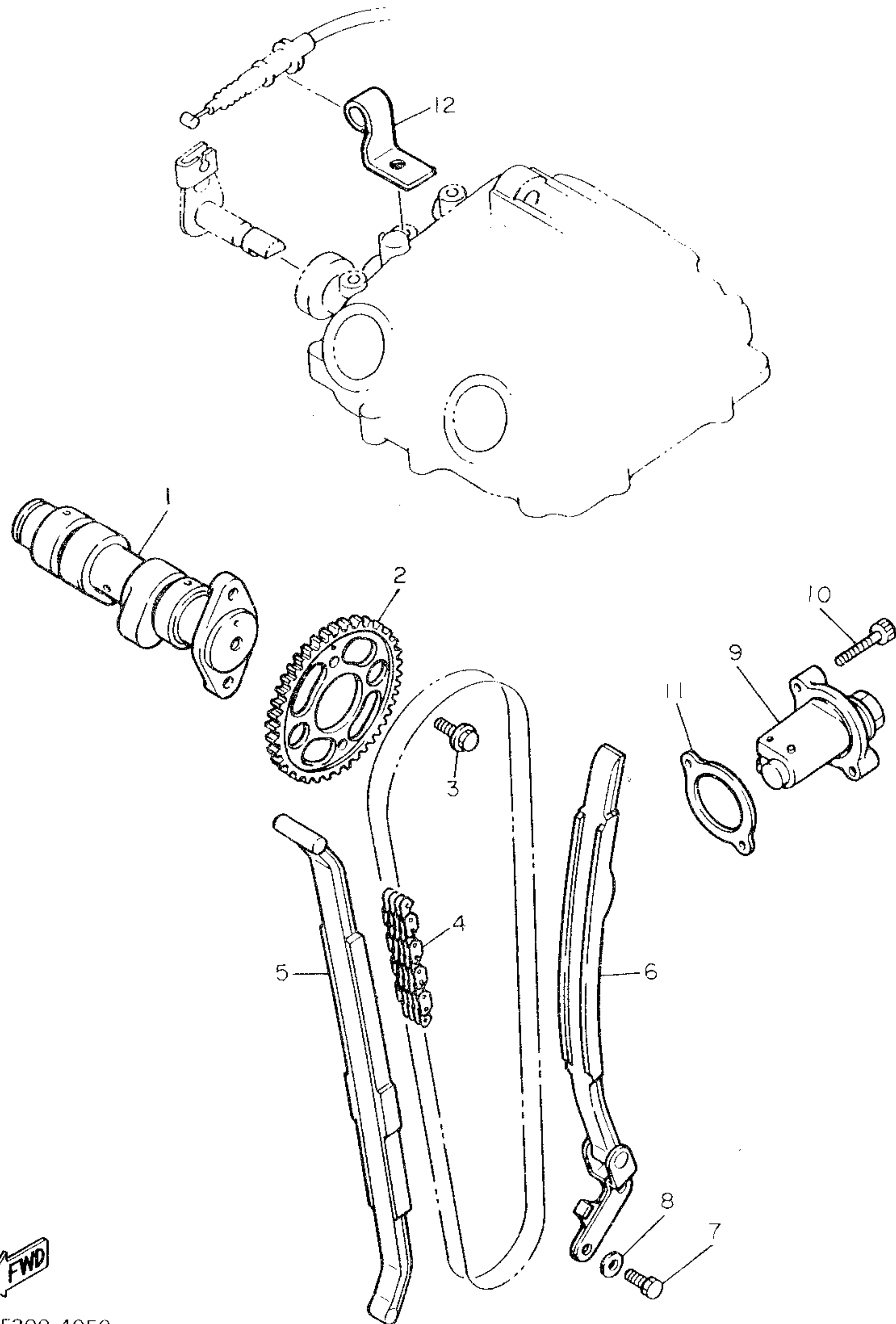
REF. NO.	PART NO.	DESCRIPTION	Q'TY	REMARKS
1	5Y1-12111-00	VALVE, intake	2	
2	34K-12121-00	VALVE, exhaust	2	
3	5Y1-12113-00	SPRING, valve inner	4	
4	5Y1-12114-00	SPRING, valve outer	4	
5	4H7-12116-00	SEAT, valve spring	4	
6	1J7-12119-01	SEAL, valve stem	4	
7	2F3-12117-00	RETAINER, valve spring	4	
8	1J7-12118-00	COTTER, valve	8	
9	34K-12151-00	ARM, valve rocker	1	
10	34K-12161-00	ARM, valve rocker 2	1	
11	34K-12162-00	ARM, valve rocker 3	1	
12	34K-12163-00	ARM, valve rocker 4	1	
13	5Y1-12146-00	SHAFT, rocker	1	
14	5Y1-12156-00	SHAFT, rocker 2	1	
15	5Y1-12166-00	SHAFT, rocker 3	1	
16	93210-08521	O-RING	2	
17	91316-06030	BOLT	2	
18	3Y1-12159-00	SCREW, valve adjusting	4	
19	90170-06128	NUT	4	
20	90206-12075	WASHER, wave	4	



FWD
5Y1110-2040

B7

FIG. 5 CAMSHAFT. CHAIN



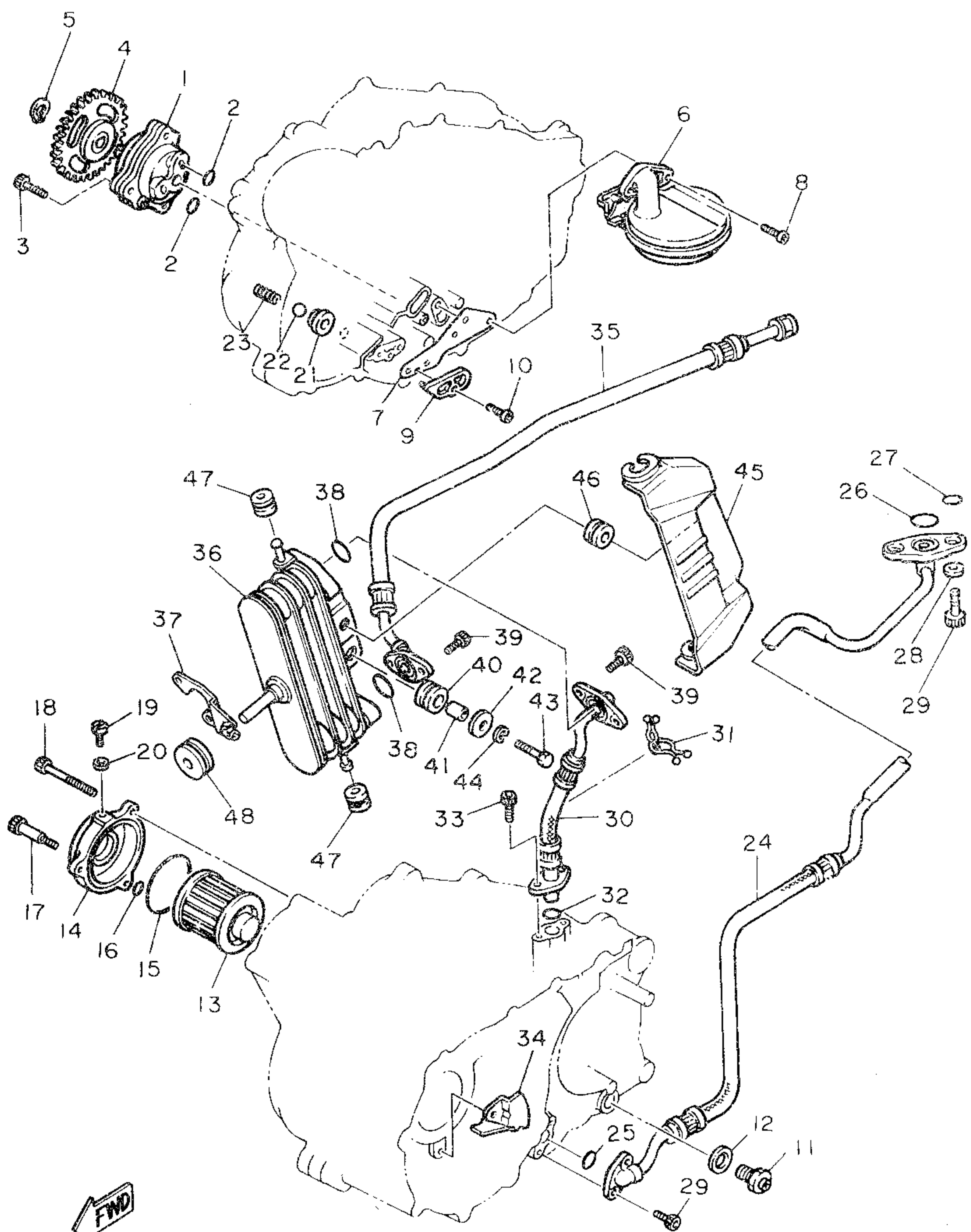
REF. NO.	PART NO.	DESCRIPTION	Q'TY	REMARKS
1	43F-12170-00	CAMSHAFT ASSY 1	1	
2	34K-12176-00	SPROCKET, cam chain	1	
3	90105-07087	BOLT, washer based	2	
4	94590-27126	CHAIN	1	
5	34K-12231-00	GUIDE, stopPer 1	1	
6	34K-12241-00	GUIDE, stopPer 2	1	
7	97321-06016	BOLT	2	
8	90201-061A5	WASHER, Plate	2	
9	34K-12210-00	TENSIONER ASSY, cam chain	1	
10	91316-06025	BOLT	2	
11	4X7-12213-00	GASKET, tensioner case	1	
12	34K-12283-00	BRACKET, decomPression	1	

FWD

43F300-4050

B8

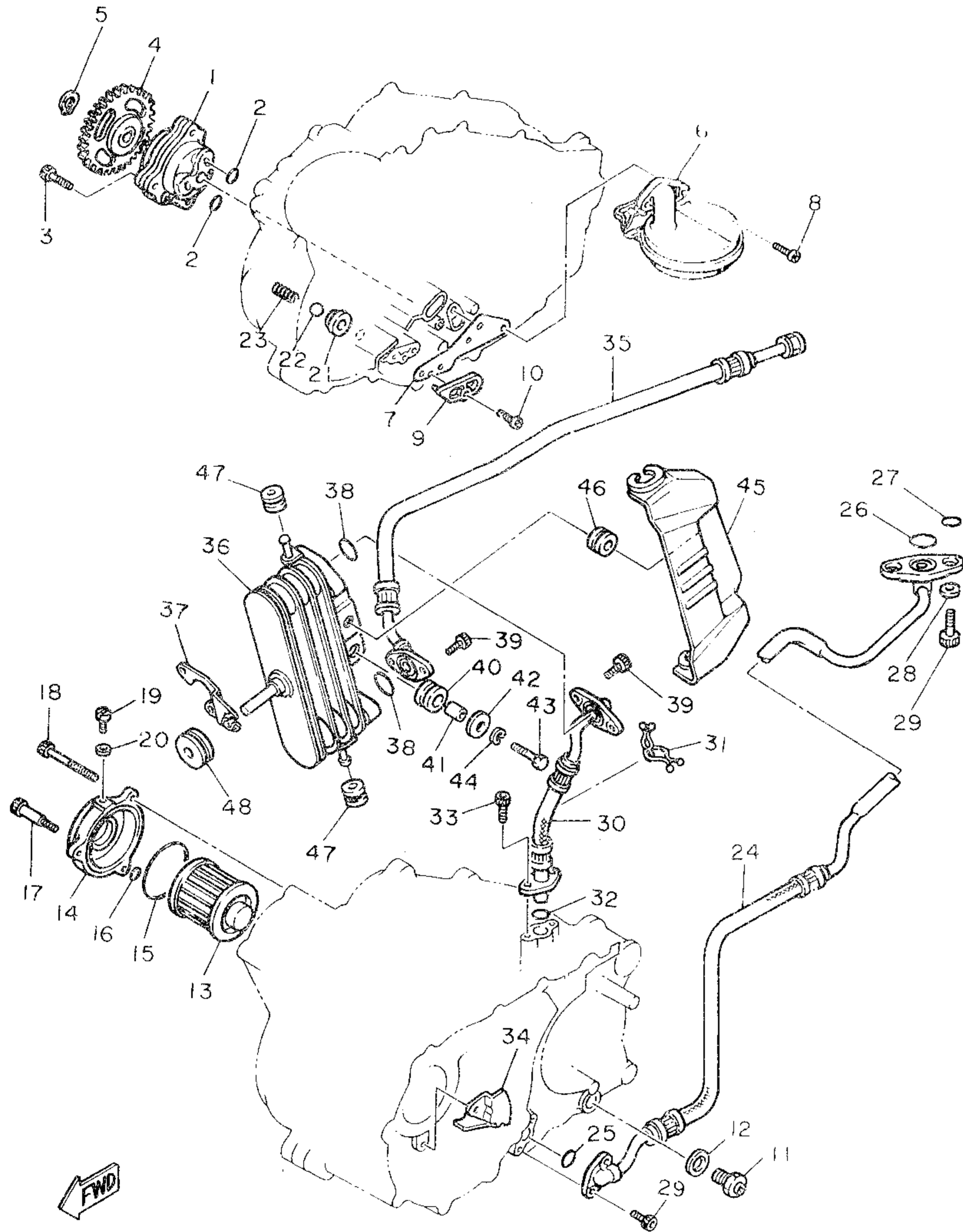
FIG. 6 OIL PUMP



50T300-4060

REF. NO.	PART NO.	DESCRIPTION	Q'TY	REMARKS
1	5Y1-13300-00	OIL PUMP ASSY	1	
2	93210-13361	O-RING	2	
3	91316-06035	BOLT	3	
4	5Y1-13325-00	GEAR, Pump driven	1	
5	93410-11002	CIRCLIP	1	
6	5Y1-W1343-00	STRAINER COMP.	1	
7	5Y1-13415-01	SEAL, oil strainer	1	
8	92501-06014	SCREW, Pan head	2	
9	5Y1-15427-00	COVER, cap 2	1	
10	92501-06014	SCREW, Pan head	1	
11	11H-13455-00	PLUG	1	
12	214-11198-01	GASKET	1	
13	4X7-13440-90	ELEMENT ASSY, oil cleaner	1	
14	583-13447-00	COVER, oil element	1	
15	93210-64297	O-RING	1	
16	93210-07135	O-RING	1	
17	90109-06419	BOLT	1	
18	91316-06080	BOLT	2	
19	90149-05110	SCREW	1	
20	90430-05126	GASKET	1	
21	583-13113-00	SEAT, check ball	1	
22	93503-08007	BALL	1	
23	90501-05378	SPRING, compression	1	
24	34L-13464-01	HOSE, oil 1	1	
25	93210-10197	O-RING	1	
26	93210-22298	O-RING	1	
27	93210-09350	O-RING	2	
28	90430-06166	GASKET	2	

FIG. 6 OIL PUMP

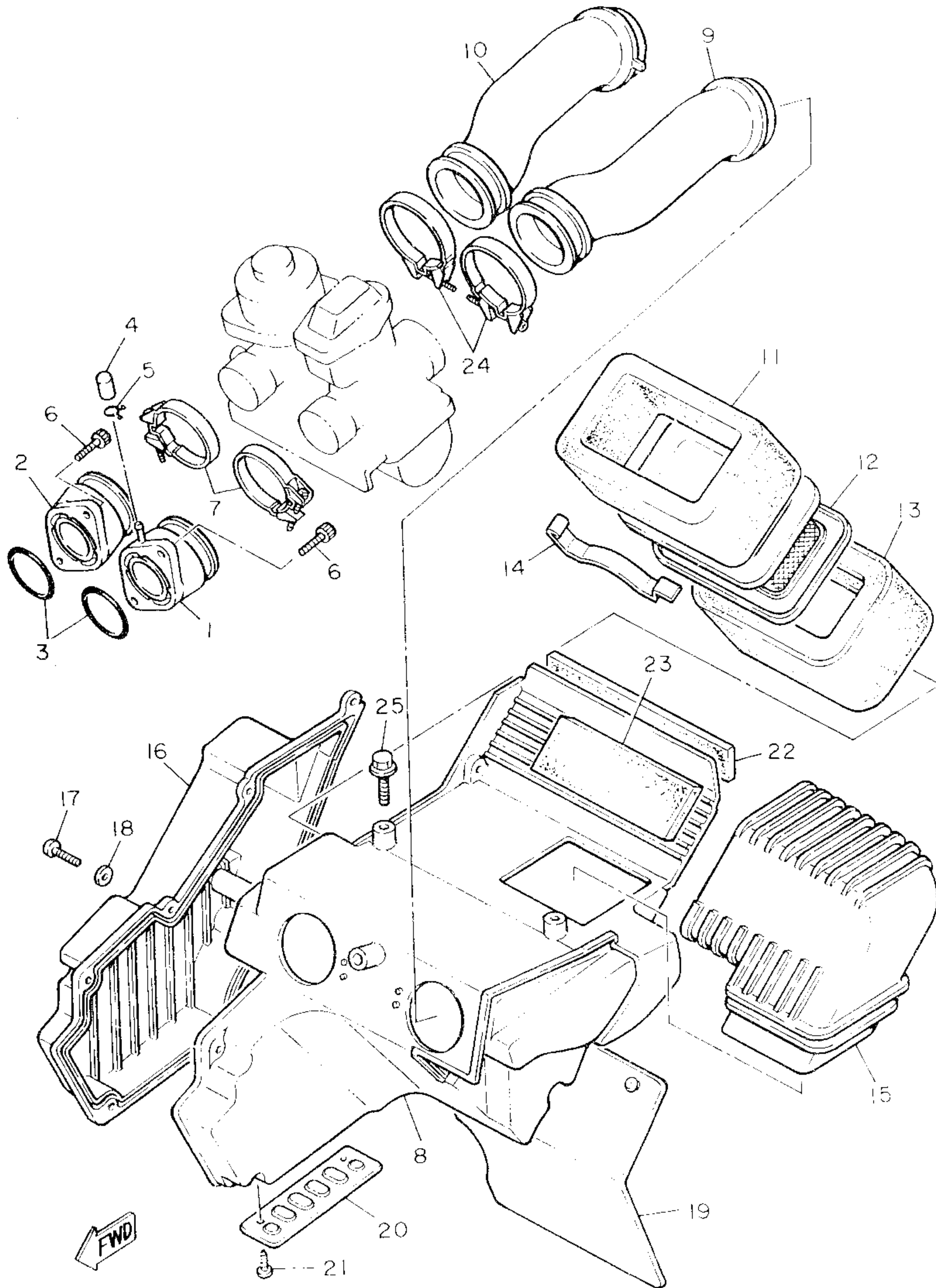


REF. NO.	PART NO.	DESCRIPTION	Q'TY	REMARKS
29	91316-06016	BOLT	4	
30	34L-13465-01	HOSE, oil 2	1	
31	90464-20064	CLAMP	1	
32	93210-15171	O-RING	1	
33	91316-06016	BOLT	2	
34	5Y1-13371-00	PLATE	1	
35	34L-13466-01	HOSE, oil cooler	1	
36	34L-13470-00	OIL COOLER ASSY	1	
37	34L-13472-01	HOLDER, oil cooler 1	1	
38	93210-14579	O-RING	2	
39	91316-06012	BOLT	4	
40	90480-15235	GROMMET	2	
41	90387-060A7	COLLAR	2	
42	90209-06174	WASHER	2	
43	97306-06020	BOLT	2	
44	92906-06100	WASHER, spring	2	
45	34L-13443-00	COVER, oil cooler	1	
46	90480-13197	GROMMET	1	
47	90480-12053	GROMMET	2	
48	90480-16233	GROMMET	1	

50T300-4060

B10

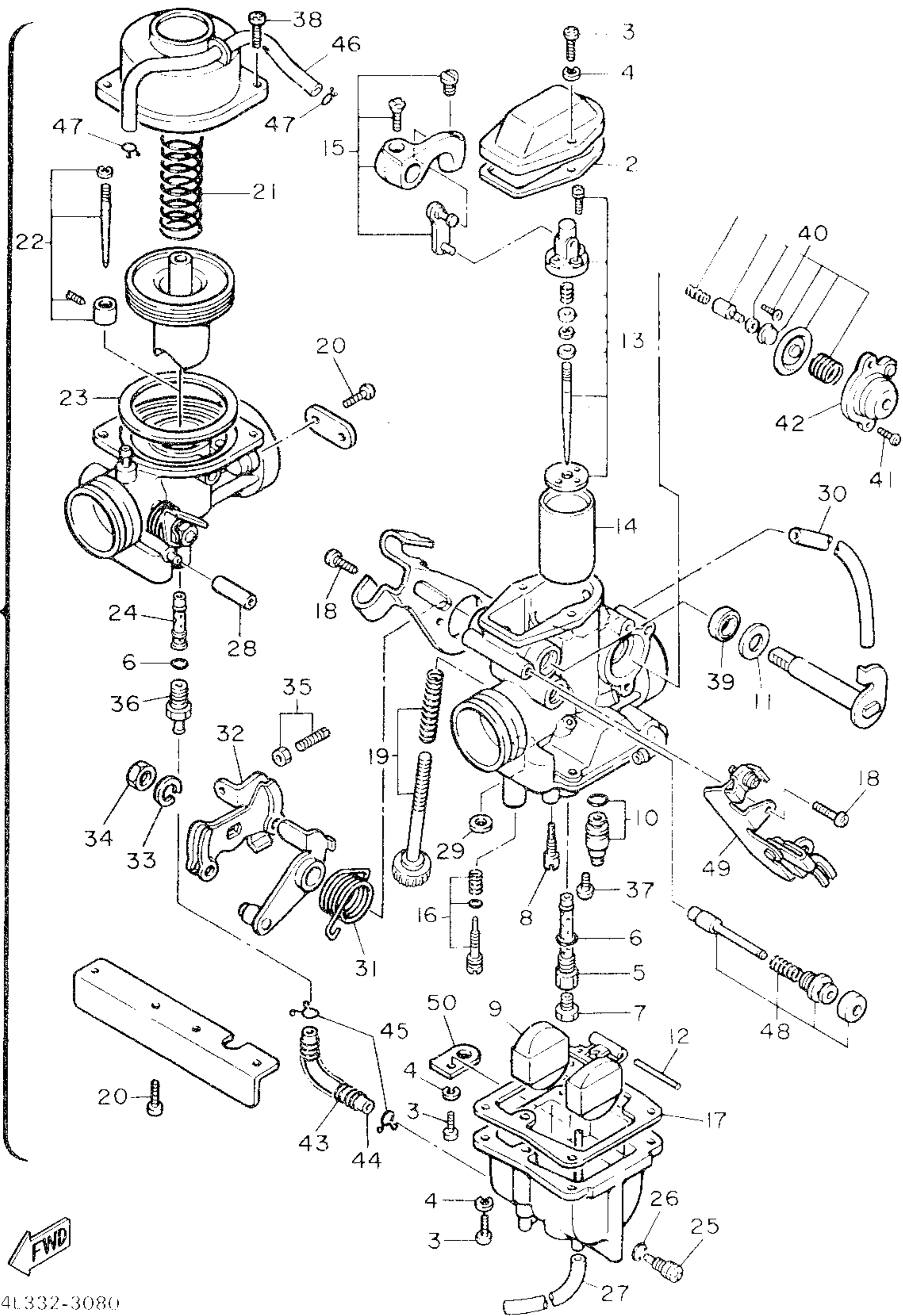
FIG. 7 INTAKE



34L332-3070

REF. NO.	PART NO.	DESCRIPTION	Q'TY	REMARKS
1	34K-13586-00	JOINT, carburetor 1	1	
2	34K-13596-00	JOINT, carburetor 2	1	
3	93210-36549	O-RING	2	
4	16G-13569-00	PLUG, blind	1	
5	90467-10039	CLIP	1	
6	91316-06020	BOLT	4	
7	90460-46206	CLAMP, hose	2	
8	34L-14401-00	AIR CLEANER CASE ASSY	1	
9	34K-14453-00	JOINT, air cleaner 1	1	
10	34K-14454-00	JOINT	1	
11	34L-14451-00	ELEMENT, air cleaner	1	
12	34L-14458-00	GUIDE	1	
13	34L-14461-00	ELEMENT, air cleaner 2	1	
14	2J2-14468-00	PLATE, element fitting	1	
15	34L-14437-00	DUCT	1	
16	34L-14412-00	CAP, cleaner case 1	1	
17	98506-05016	SCREW, Pan head	6	
18	92906-05600	WASHER, Plate	6	
19	34L-21621-00	FLAP	1	
20	34L-1442F-00	PROTECTOR	1	
21	97706-40506	SCREW, tapping	2	
22	34L-14426-00	DAMPER 2	1	
23	34L-14425-00	DAMPER 1	1	
24	90460-51059	CLAMP, hose	2	
25	95801-06012	BOLT, flange	3	

FIG. 8 CARBURETOR

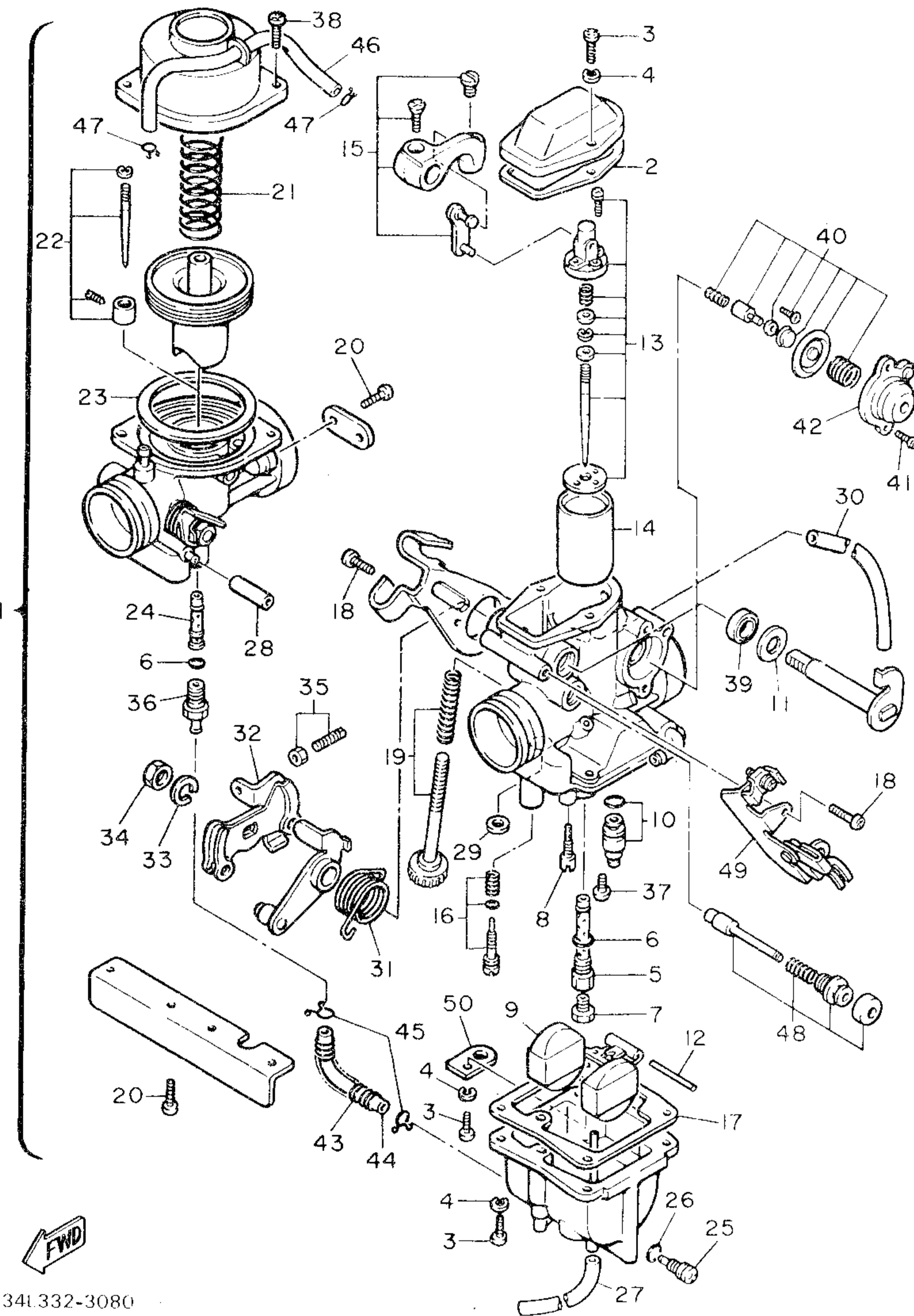


REF. NO.	PART NO.	DESCRIPTION	Q'TY	REMARKS
1	34L-14301-00	CARBURETOR ASSY 1	1	
2	5Y1-14198-00	•GASKET	1	
3	98501-04014	•SCREW, Pan head	6	
4	92901-04100	•WASHER, sPring	6	
5	5Y3-14341-00	•NOZZLE, main	1	
6	360-24512-00	•GASKET	2	
7	288-14343-63	•JET, main (#126)	1	
8	5H0-14342-24	•JET, Pilot (# 48)	1	
9	5Y1-14385-00	•FLOAT	1	
10	5Y1-14107-00	•NEEDLE VALVE SET	1	
11	5Y1-14357-00	•WASHER, Plain	1	
12	689-14386-00	•PIN, float	1	
13	34L-1490J-10	•NEEDLE SET	1	
14	5Y1-14312-45	•VALVE, throttle 1	1	
15	5Y1-14203-00	•CABLE CONNECTOR SET	1	
16	5Y3-14105-00	•PILOT SCREW SET	1	
17	5Y1-14384-00	•GASKET, float chamber	1	
18	5Y1-14325-00	•SCREW, Pan head	3	
19	34K-14103-00	•THROTTLE SCREW SET	1	
20	98501-05010	•SCREW, Pan head	6	
21	5Y1-14286-00	•SPRING	1	
22	5Y3-1490J-01	•NEEDLE SET	1	
23	5Y1-14398-00	•GASKET	1	
24	5Y1-14355-00	•NOZZLE, main 2	1	
25	5Y1-14115-00	•PLUG, screw	1	
26	5Y1-14397-00	•O-RING	1	
27	5Y1-14396-00	•PIPE	1	
28	5Y1-14349-00	•PIPE	1	

34L332-3080

B12

FIG. 8 CARBURETOR

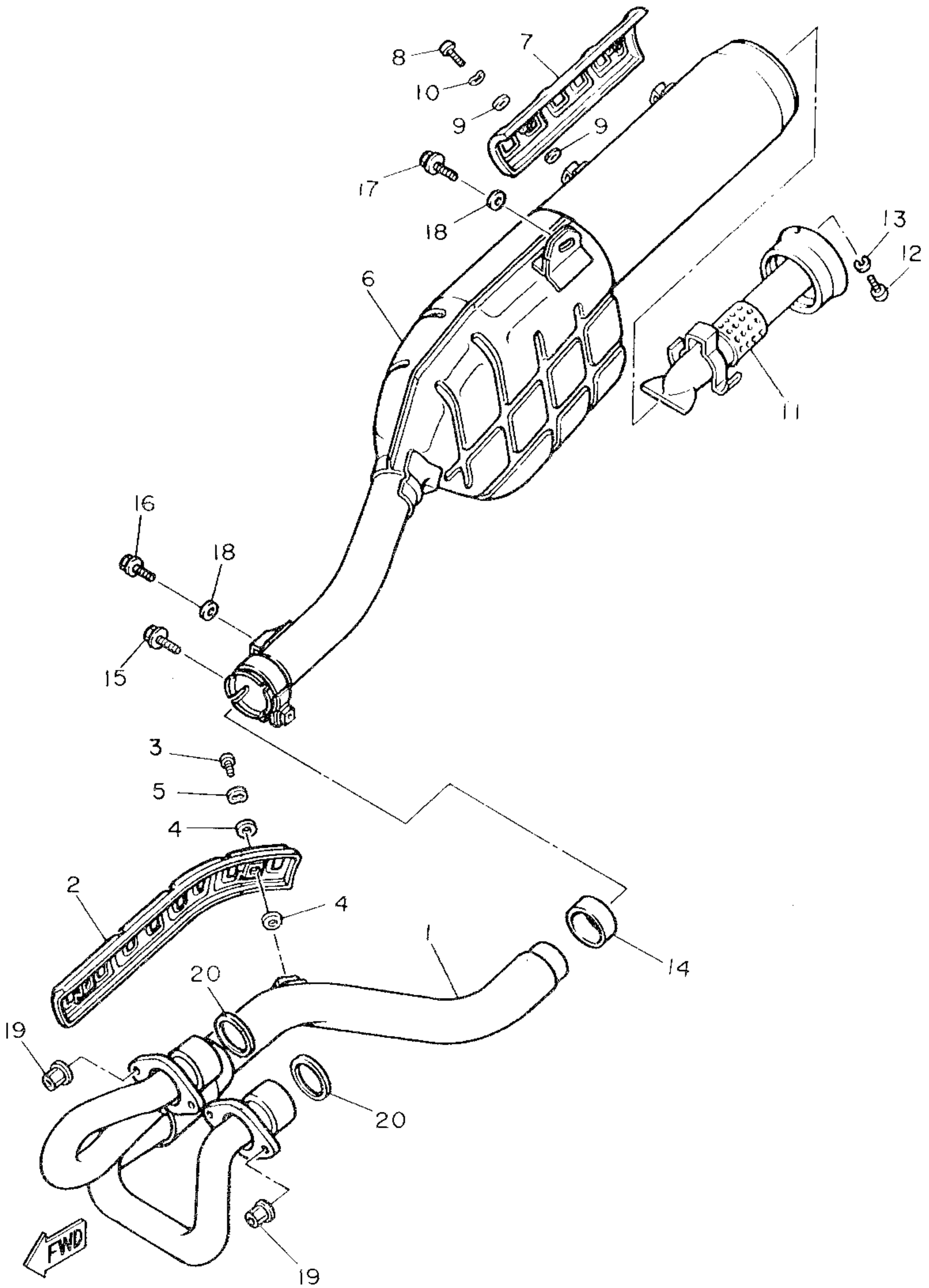


34L332-3080

REF. NO.	PART NO.	DESCRIPTION	Q'TY	REMARKS
29	5Y1-14536-00	•GASKET	1	
30	34K-14197-00	•PIPE	1	
31	5Y1-14131-00	•SPRING, throttle valve	1	
32	34K-14305-00	•THROTTLE LEVER COMP	1	
33	5Y1-14356-00	•WASHER, spring	1	
34	5Y1-14358-00	•NUT	1	
35	34K-1490K-00	•STOP SCREW SET	1	
36	5Y1-14343-63	•JET, main (#126)	1	
37	98901-04006	•SCREW, bind	1	
38	5Y1-14216-00	•SCREW	2	
39	5Y1-14572-00	•SEAL,	2	
40	5Y1-1490A-00	•DIAPHRAGM SET, 1	1	
41	98503-04010	•SCREW, Pan head	2	
42	5Y1-14293-00	•COVER 1	1	
43	5Y1-14556-00	•SPRING	1	
44	5Y1-14148-00	•PIPE	1	
45	5Y1-14137-00	•CLIP	2	
46	5Y1-14149-00	•PIPE	1	
47	5Y1-14159-00	•CLIP	2	
48	5Y1-1410A-00	•STARTER SET	1	
49	34L-14905-00	•LEVER, starter	1	
50	5Y1-14146-00	•PLATE	1	

B13

FIG. 9 EXHAUST

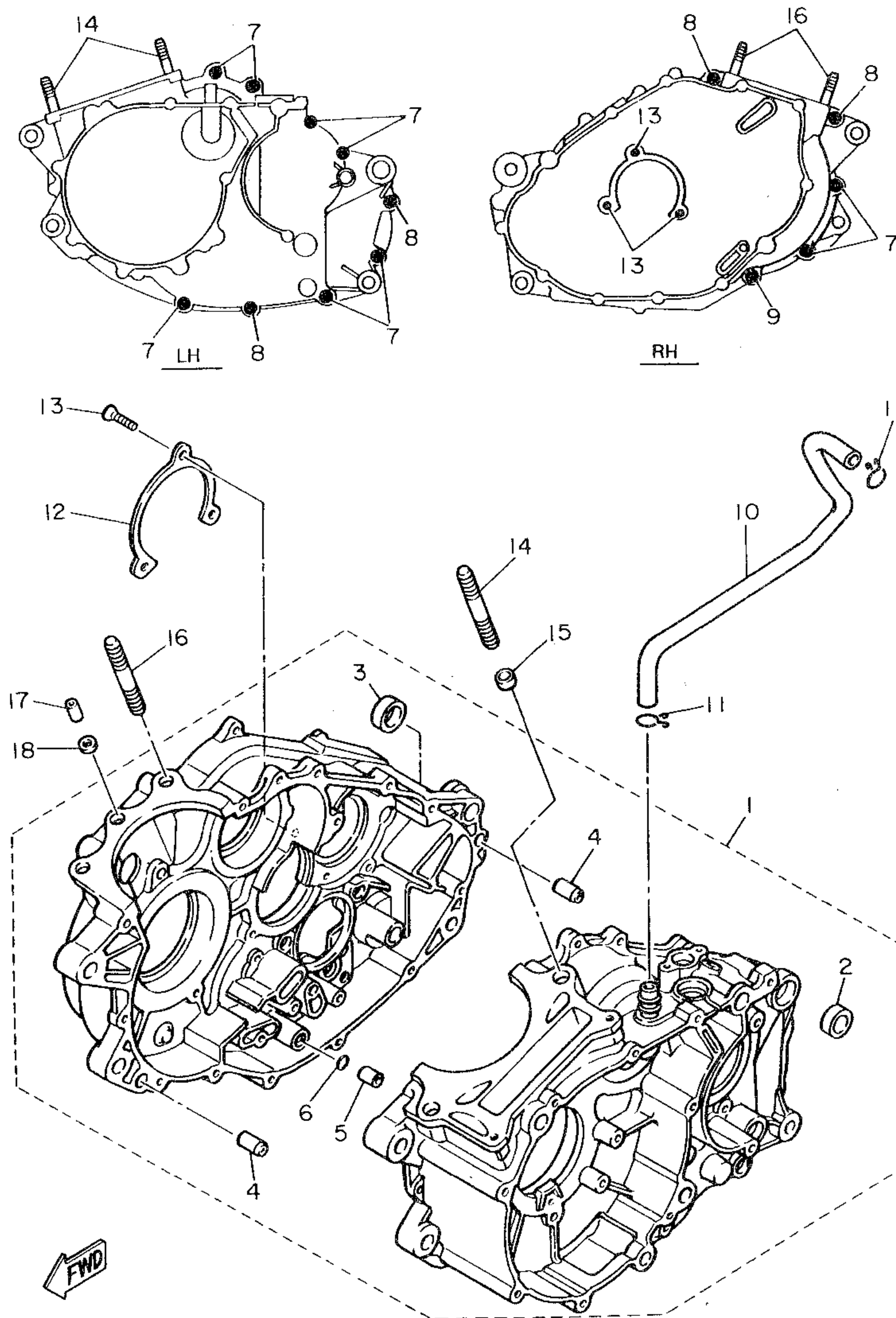


34L351-3090

REF. NO.	PART NO.	DESCRIPTION	Q'TY	REMARKS
1	34K-14611-00	PIPE, exhaust 1	1	
2	34K-14628-00	PROTECTOR, exhaust Pipe	1	
3	90164-06017	SCREW, tapping	2	
4	30X-14766-00	WASHER, Protector	4	
5	90206-06060	WASHER, wave	2	
6	34L-14711-00	MUFFLER 1	1	
7	34L-14728-00	PROTECTOR, muffler 2	1	
8	98906-06010	SCREW, bind	2	
9	583-14766-00	WASHER, Protector	4	
10	90206-06060	WASHER, wave	2	
11	34L-14752-00	PIPE, outlet	1	
12	92501-06008	SCREW, Pan head	1	
13	92901-06100	WASHER, spring	1	
14	34K-14714-00	GASKET, muffler	1	
15	95816-08045	BOLT, flange	1	
16	95811-08012	BOLT, flange	1	
17	95821-08020	BOLT, flange	1	
18	90201-08326	WASHER, Plate	2	
19	90179-06306	NUT	4	
20	5Y1-14613-00	GASKET, exhaust Pipe	2	

B14

FIG. 10 CRANKCASE

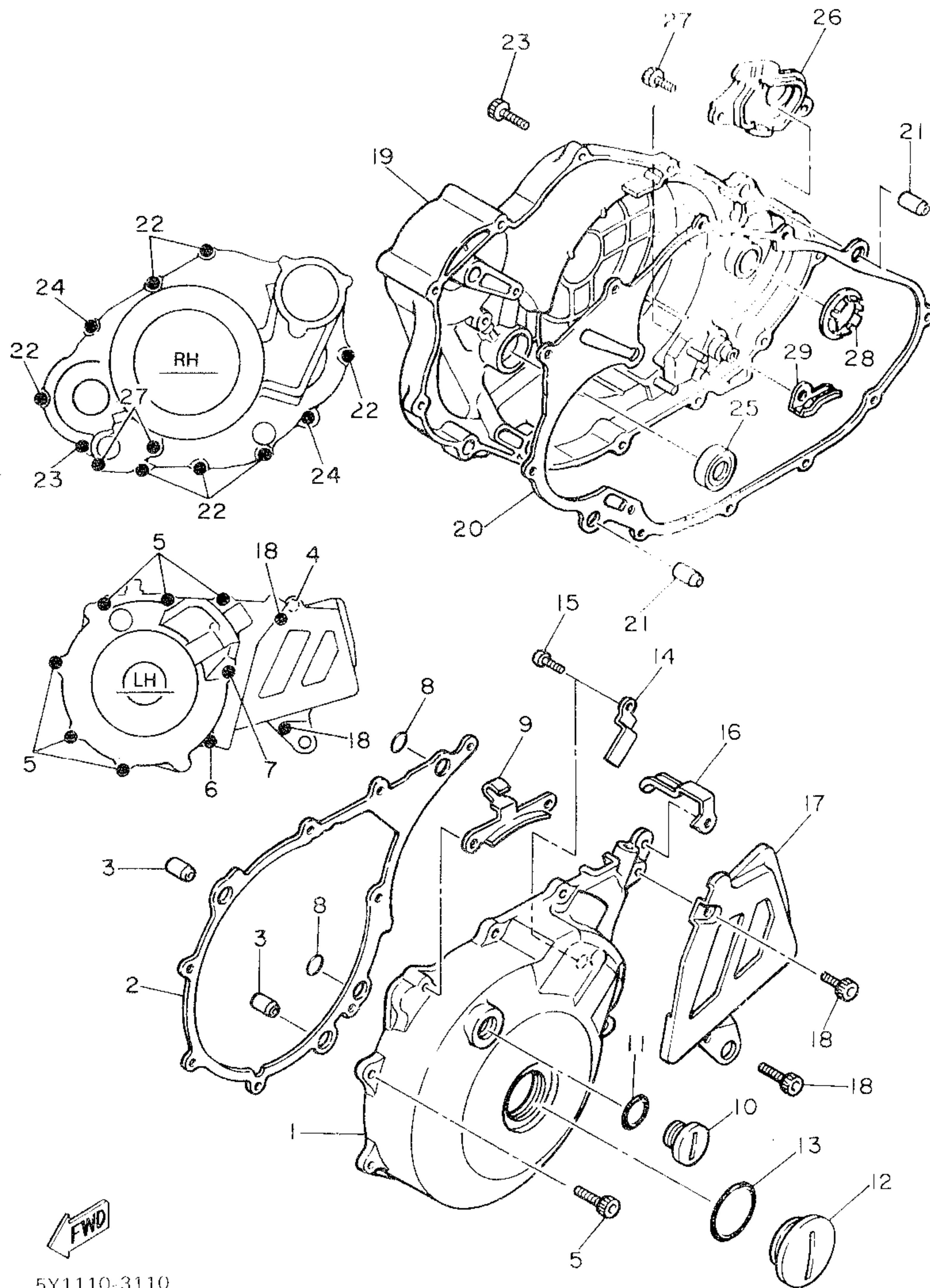


REF. NO.	PART NO.	DESCRIPTION	Q'TY	REMARKS
1	34L-15100-00	CRANKCASE ASSY	1	
2	90387-17783	•COLLAR	1	
3	90387-16782	•COLLAR	1	
4	91830-22016	•PIN, dowel	2	
5	91810-18016	•PIN, dowel	1	
6	93210-07135	•O-RING	1	
7	91316-06030	BOLT	9	
8	91316-06045	BOLT	4	
9	91316-06060	BOLT	1	
10	34L-11166-00	PIPE, breather 1	1	
11	90467-14015	CLIP	2	
12	5Y1-15383-00	PLATE, bearing cover	1	
13	92701-06012	SCREW, flat head	3	
14	90116-10087	BOLT, stud	2	
15	91830-24016	PIN, dowel	2	
16	90116-10263	BOLT, stud	2	
17	91810-18016	PIN, dowel	1	
18	90430-08178	GASKET	1	

34K100-3100

B15

FIG. 11 CRANKCASE COVER 1



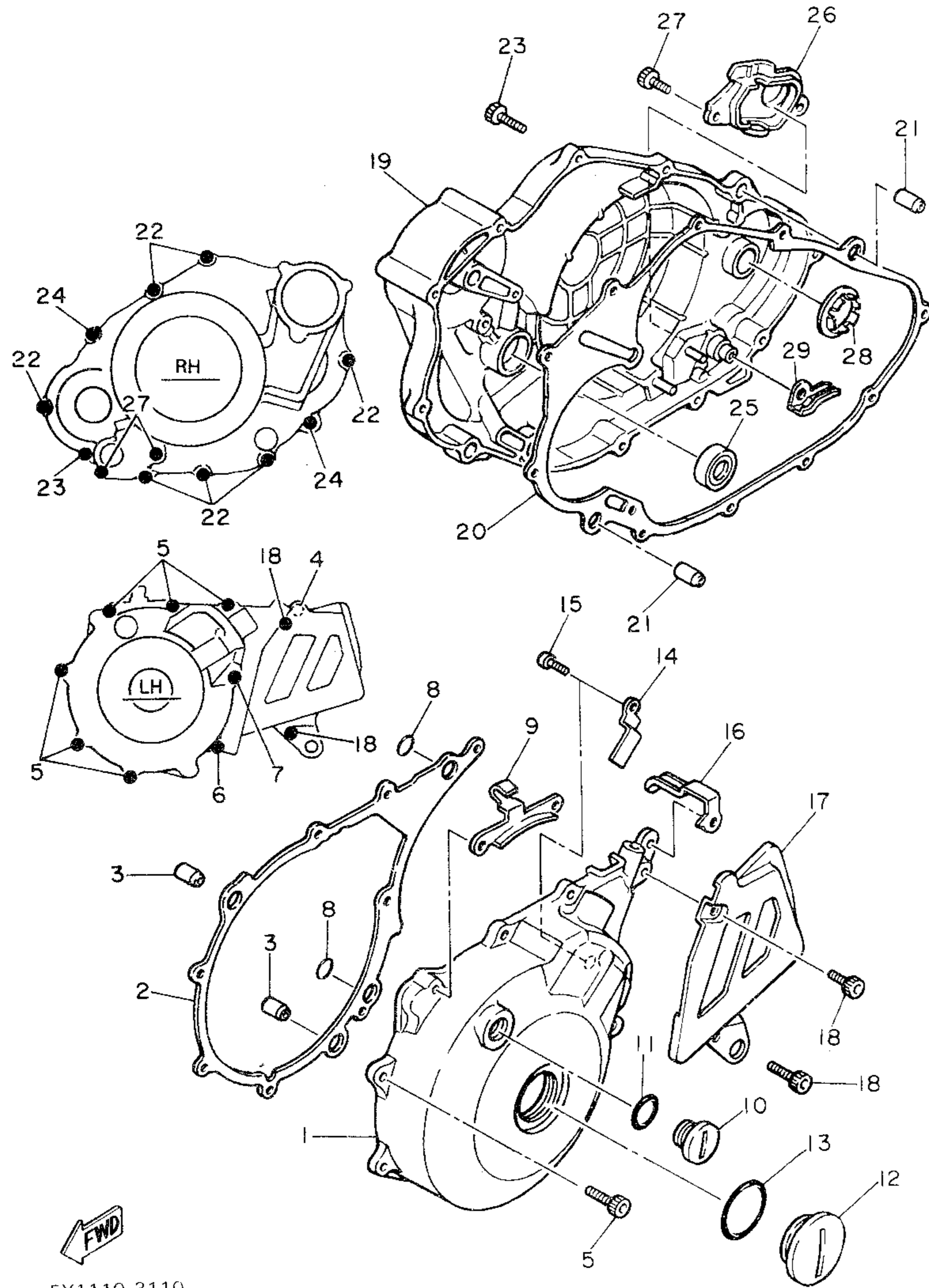
REF. NO.	PART NO.	DESCRIPTION	Q'TY	REMARKS
1	34K-15411-00	COVER, crankcase 1	1	
2	5Y1-15451-01	GASKET, crankcase cover 1	1	
3	91830-22016	PIN, dowel	2	
4	91316-06020	BOLT	1	
5	91316-06025	BOLT	6	
6	91316-06040	BOLT	1	
7	91316-06050	BOLT	1	
8	93210-13361	O-RING	2	
9	5Y1-15441-00	HOLDER, clutch cable	1	
10	90340-14079	PLUG, straight screw	1	
11	93210-14369	O-RING	1	
12	90340-36078	PLUG, straight screw	1	
13	93210-36510	O-RING	1	
14	90462-16102	CLAMP	1	
15	92501-06012	SCREW, Pan head	1	
16	90462-10107	CLAMP	1	
17	5Y1-15421-01	COVER, crankcase 2	1	
18	91316-06016	BOLT	2	
19	5Y1-15431-00	COVER, crankcase 3	1	
20	34K-15462-00	GASKET, crankcase cover 3	1	
21	91830-22016	PIN, dowel	2	
22	91316-06025	BOLT	7	
23	91316-06030	BOLT	1	
24	91316-06035	BOLT	2	
25	93101-14092	OIL SEAL	1	
26	5Y1-15417-00	COVER, caP	1	
27	91316-06016	BOLT	2	
28	5Y1-15645-00	SHIM, kick shaft	1	

5Y1110-3110

C2

FIG. 11 CRANKCASE COVER 1

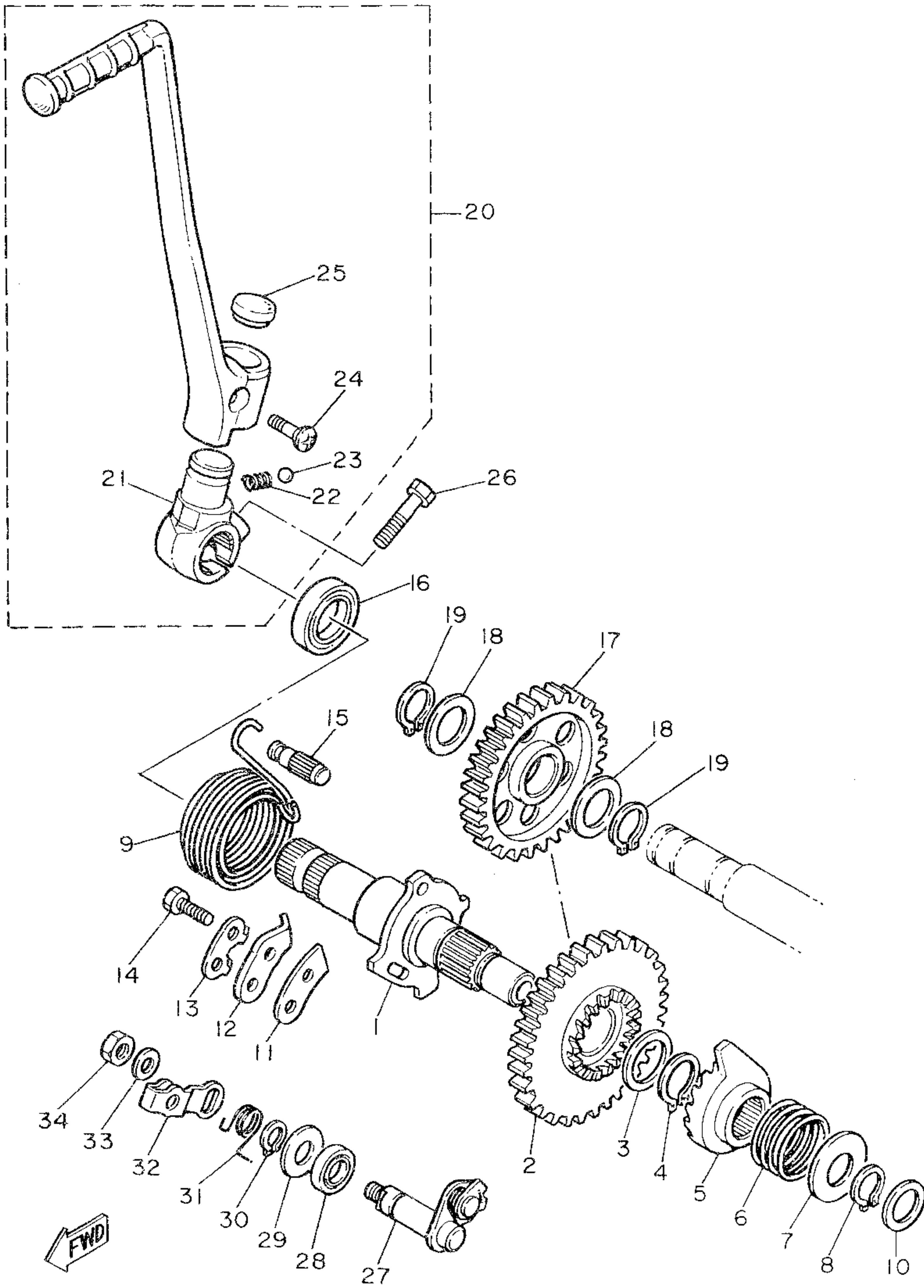
REF. NO.	PART NO.	DESCRIPTION	Q'TY	REMARKS
29	5Y1-1562F-01	PLATE, decomp	1	



5Y1110-3110

C3

FIG. 12 STARTER



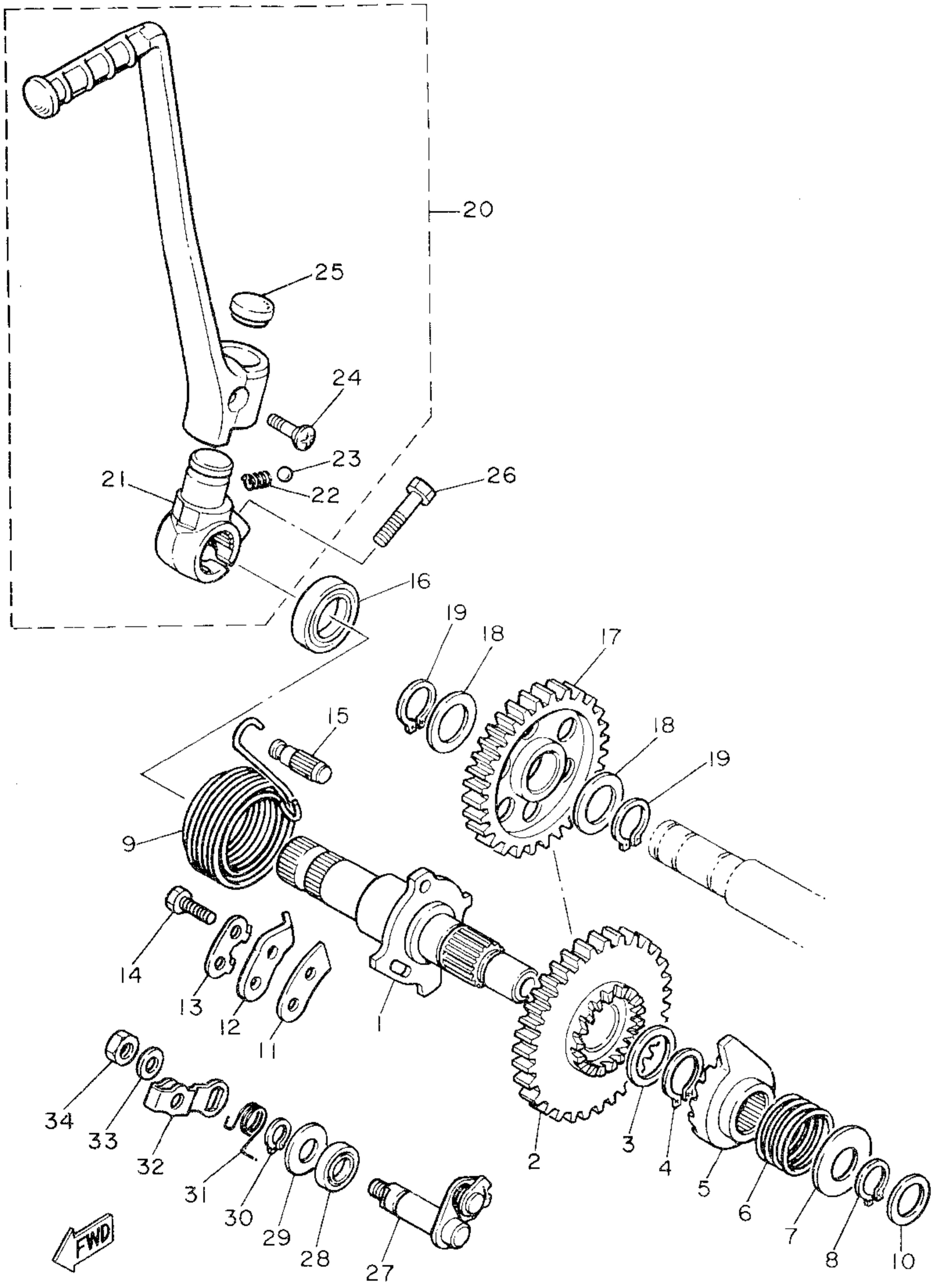
5Y1110-2130

REF. NO.	PART NO.	DESCRIPTION	Q'TY	REMARKS
1	5Y1-15660-00	KICK AXLE ASSY	1	
2	34K-15641-00	GEAR, kick(35T)	1	
3	90201-20685	WASHER, Plate	1	
4	93410-20038	CIRCLIP	1	
5	5Y1-15671-00	WHEEL, ratchet	1	
6	90501-16107	SPRING, compression	1	
7	168-15676-00	COVER, spring	1	
8	93410-15005	CIRCLIP	1	
9	90508-32529	SPRING, torsion	1	
10	90201-15701	WASHER, Plate (1.0T)	1	
11	2K7-15668-00	STOPPER	1	
12	214-15674-00	GUIDE, ratchet wheel	1	
13	214-15686-00	WASHER, lock	1	
14	97321-06016	BOLT	2	
15	248-15668-00	STOPPER	1	
16	93102-20108	OIL SEAL	1	
17	5Y1-15651-01	GEAR, kick idle	1	
18	90201-20276	WASHER, Plate	2	
19	93410-20009	CIRCLIP	2	
20	5Y1-15620-00	KICK CRANK ASSY	1	
21	5Y1-15621-00	•BOSS, kick crank	1	
22	90501-12081	•SPRING, compression	1	
23	93507-32009	•BALL	1	
24	90152-06010	•SCREW, countersunk	1	
25	90336-18038	•PLUG, taper	1	
26	97311-08030	BOLT	1	
27	3Y1-1561A-02	DECOMP. LEVER ASSY	1	
28	93102-10207	OIL SEAL	1	

C4

FIG. 12 STARTER

REF. NO.	PART NO.	DESCRIPTION	Q'TY	REMARKS
29	90201-10135	WASHER, Plate	1	
30	93410-10025	CIRCLIP	1	
31	90508-14524	SPRING, torsion	1	
32	5Y1-1561G-00	LEVER, cable	1	
33	90201-061A5	WASHER, Plate	1	
34	95311-06700	NUT	1	



5Y1110-2130

C5

